



Merely illustrative image

FRONTBOX

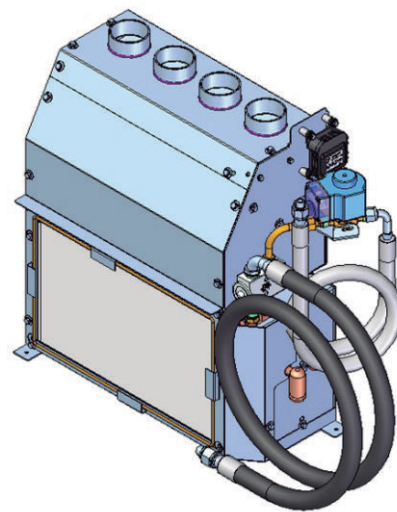
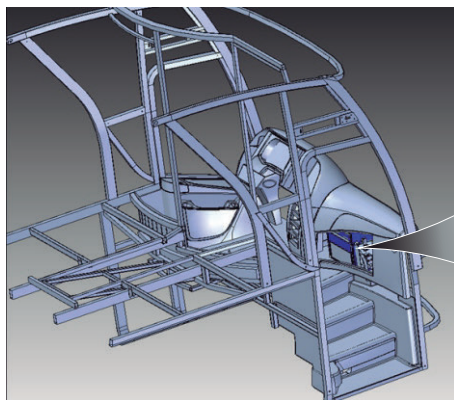
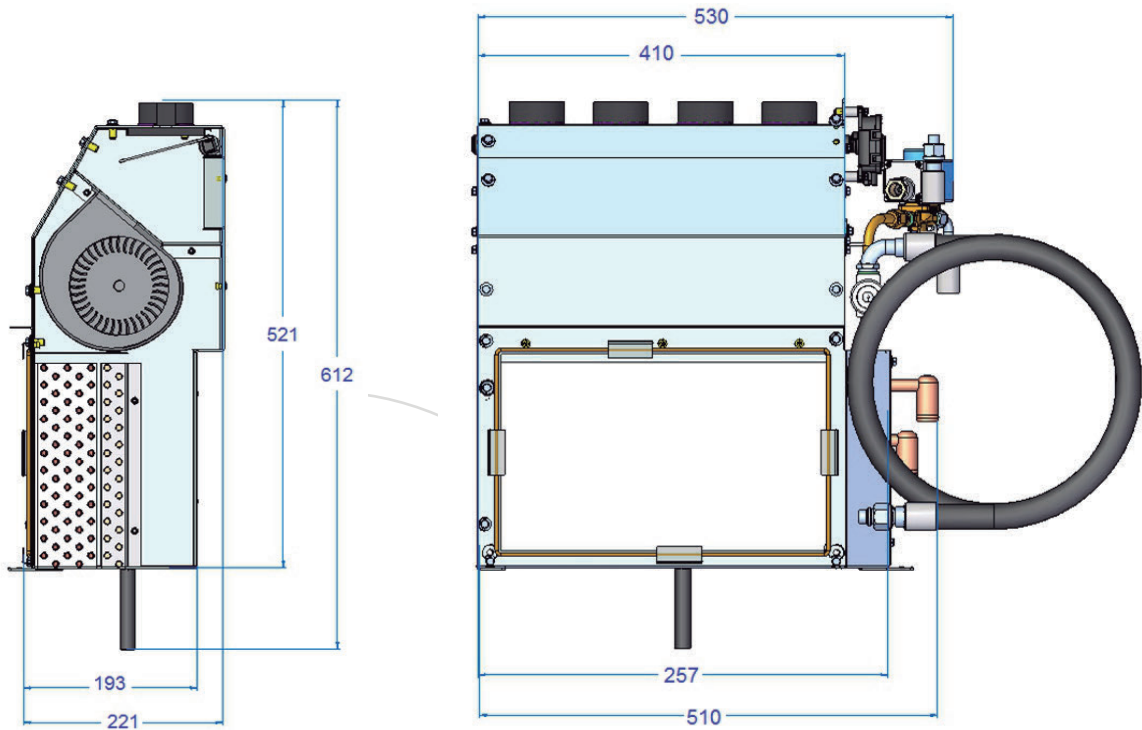
FRONTBOX

High cooling performance
Heating and defogging



Technical data

Highlights	FRONTBOX
Cooling performance	25.000 BTU/h (7,3 kW)
Heating capacity	31.000 BTU/h (9 kW)
Weight	15 Kg



Application

- Rear motor

Merely illustrative image.